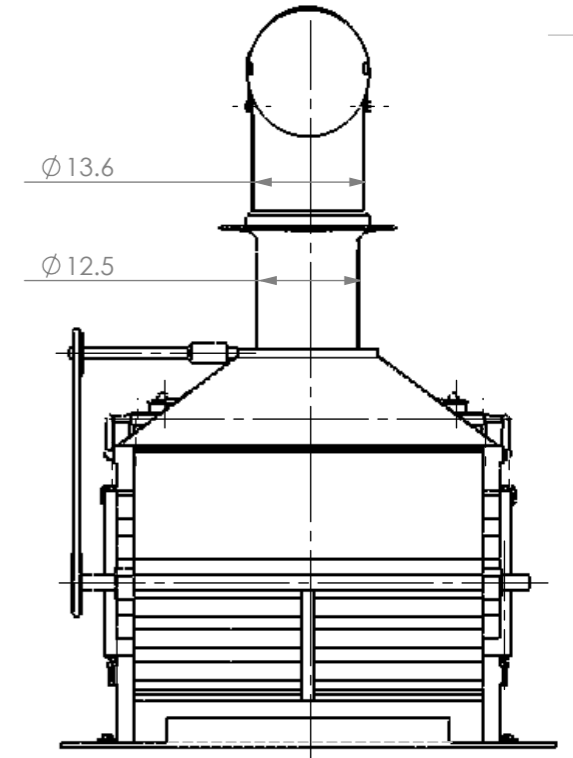
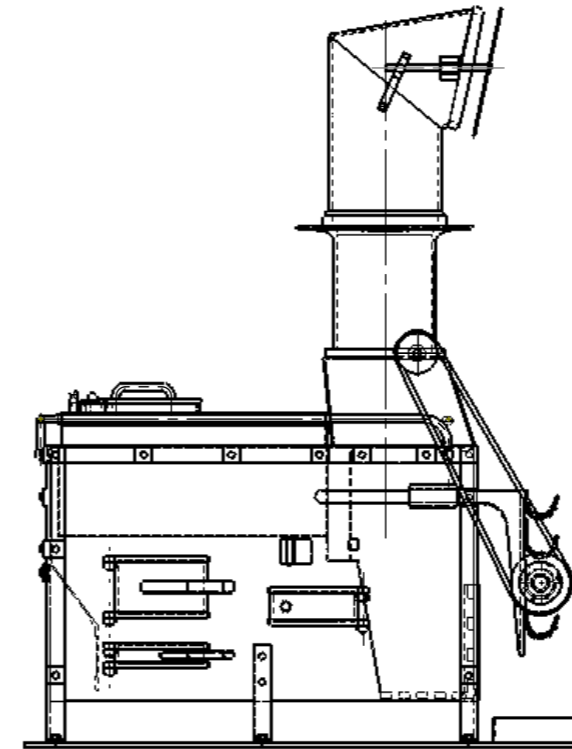
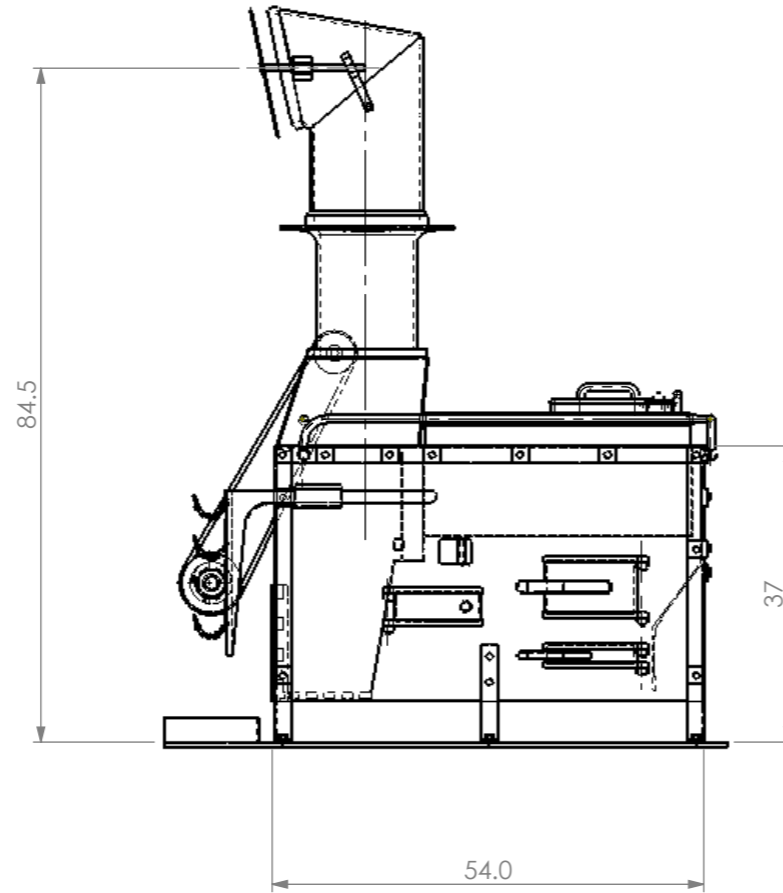
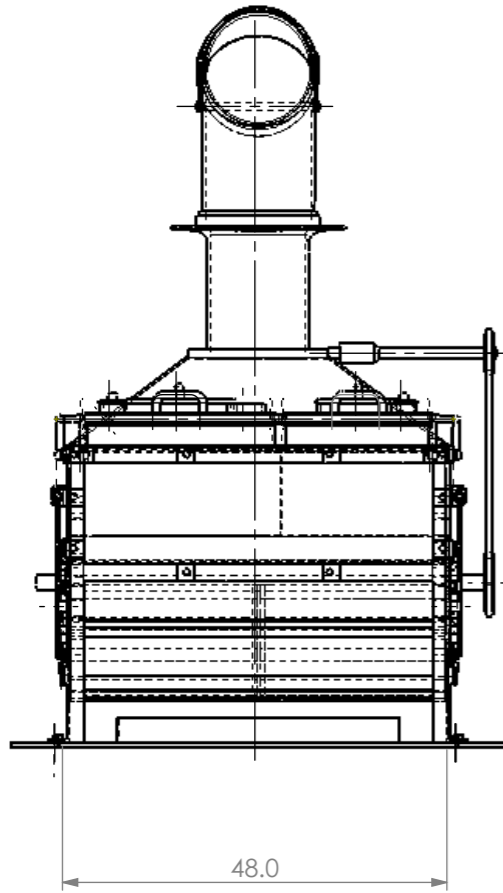
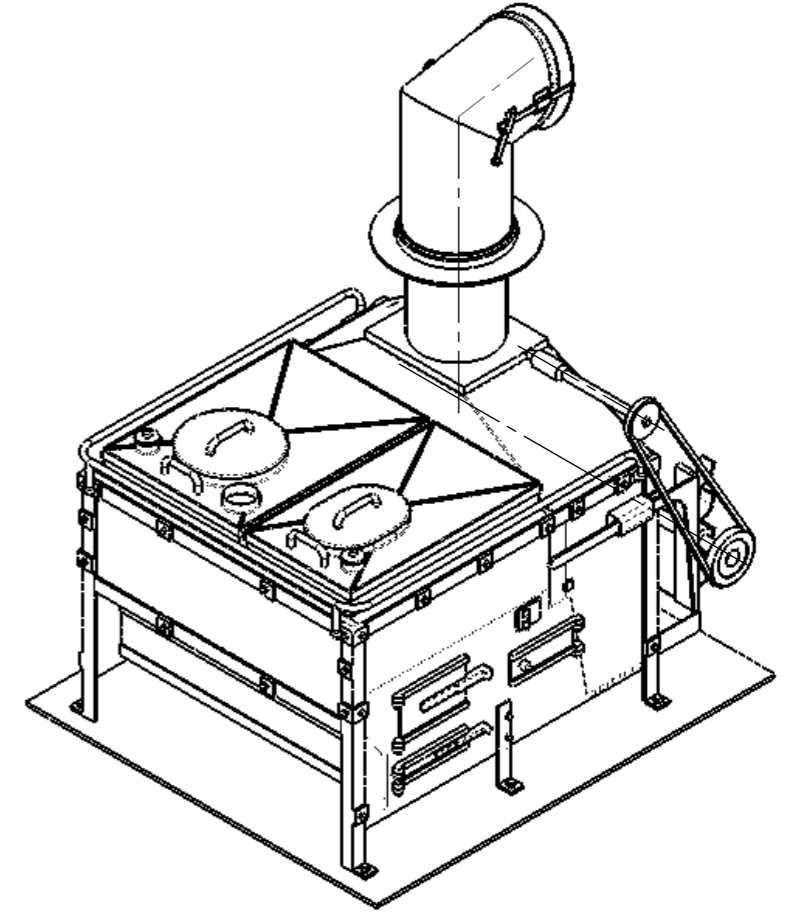
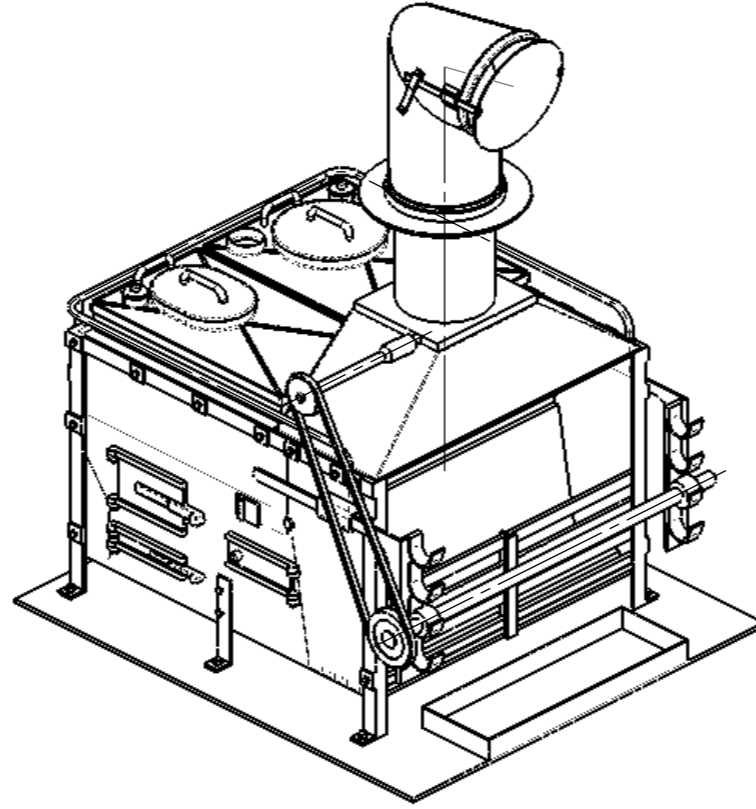
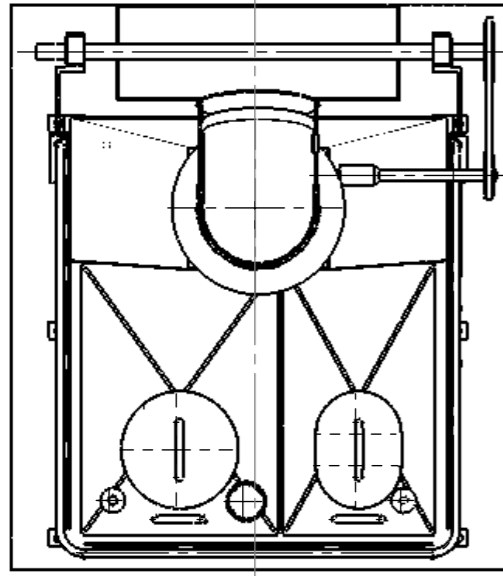


The iron stove was introduced about 1750 and became the preferred choice by the early 1770's . Before that the stoves were brick affairs. The stove was improved and called the Brodie stove in 1781, then improved and patented by Lamb and Nicholson in 1811. Their version was used to about the late 1940's



SHEET 1 OF 1

**GALLEY STOVE  
ARRANGEMENT**

© COPYRIGHT MSW

SCALE:1:12

**A3**