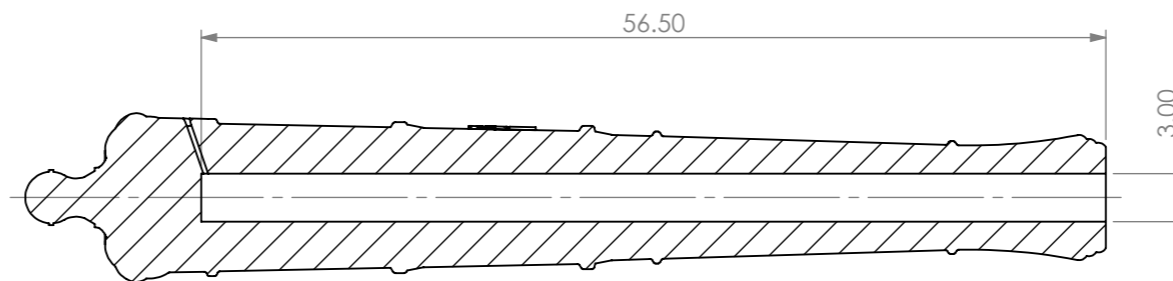
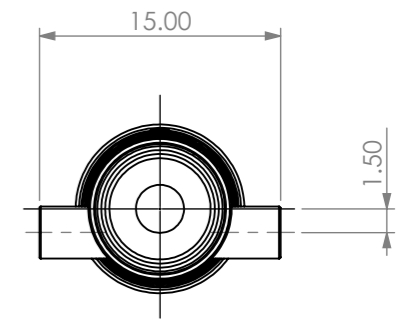
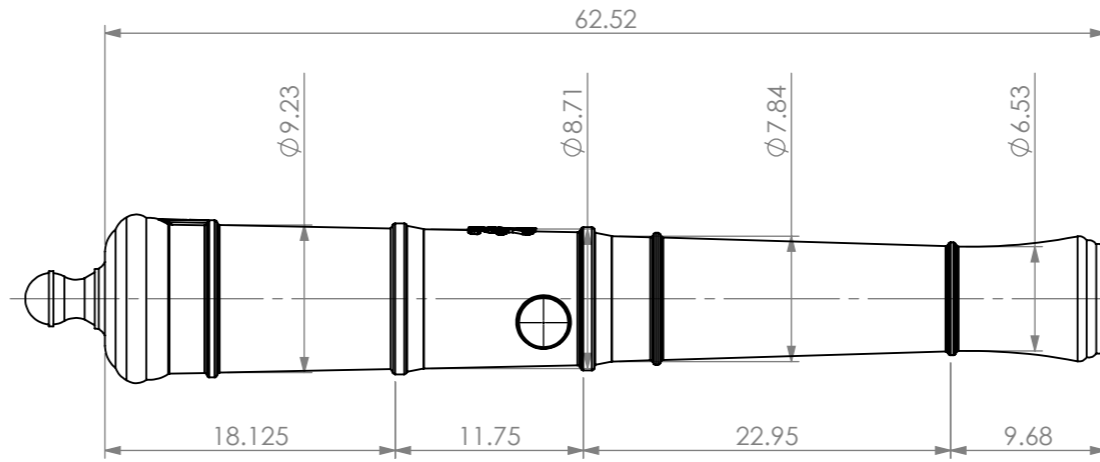
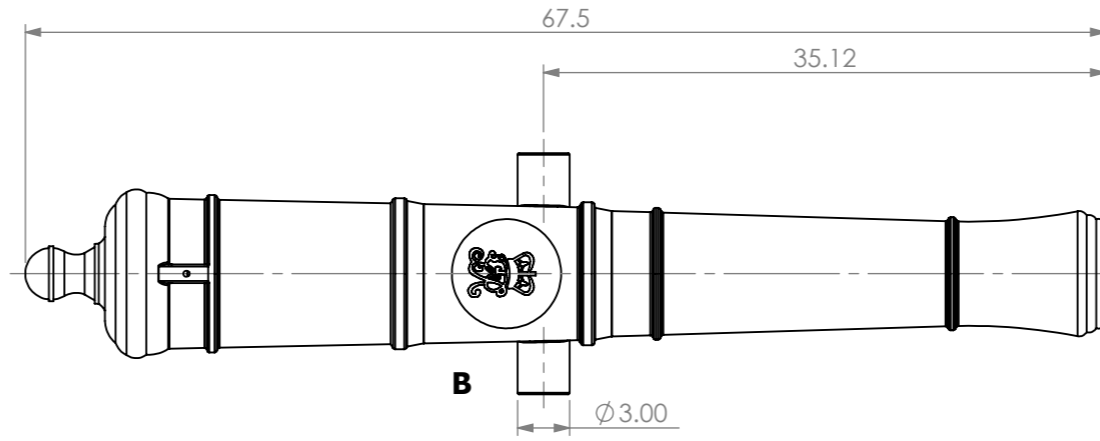
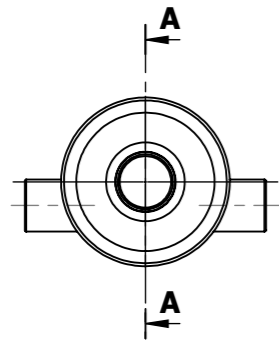


DETAIL B
SCALE 1:4



SECTION A-A

NOTE: DRAWING SHOWN WITH 3.00" BORE
FOR 3.20" BORE SCALE UP 1.067

SHEET 2 OF 2

**ARMSTRONG PATTERN
3 POUND CANNON**

© COPYRIGHT MSW

SCALE:1:12

A3